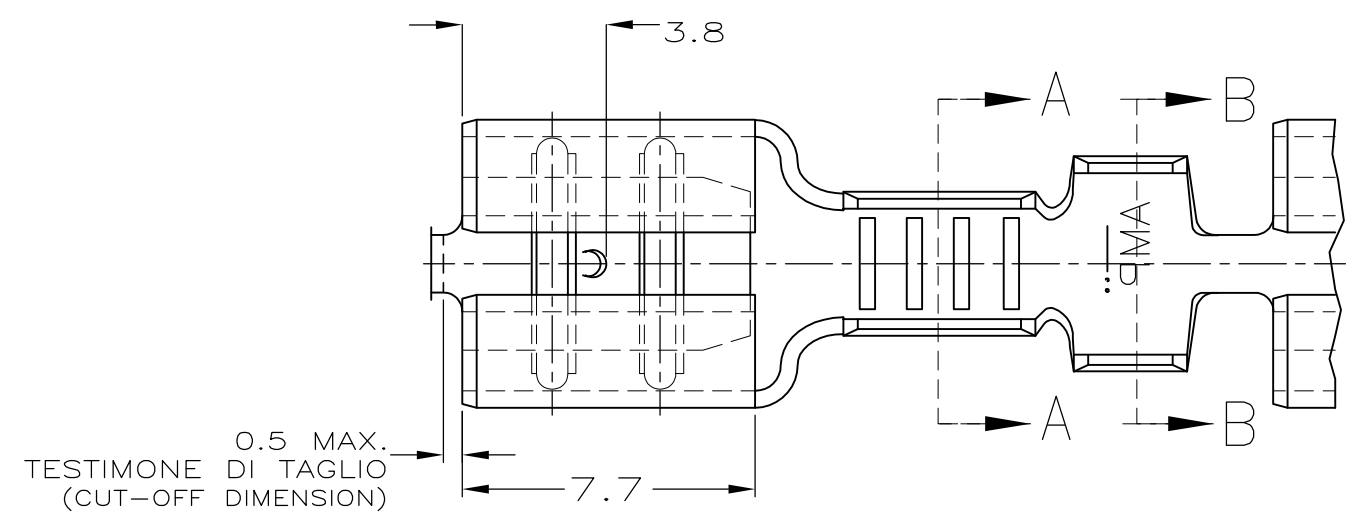


THIS DRAWING IS UNPUBLISHED. RELEASED FOR PUBLICATION
 © COPYRIGHT - By - ALL RIGHTS RESERVED.

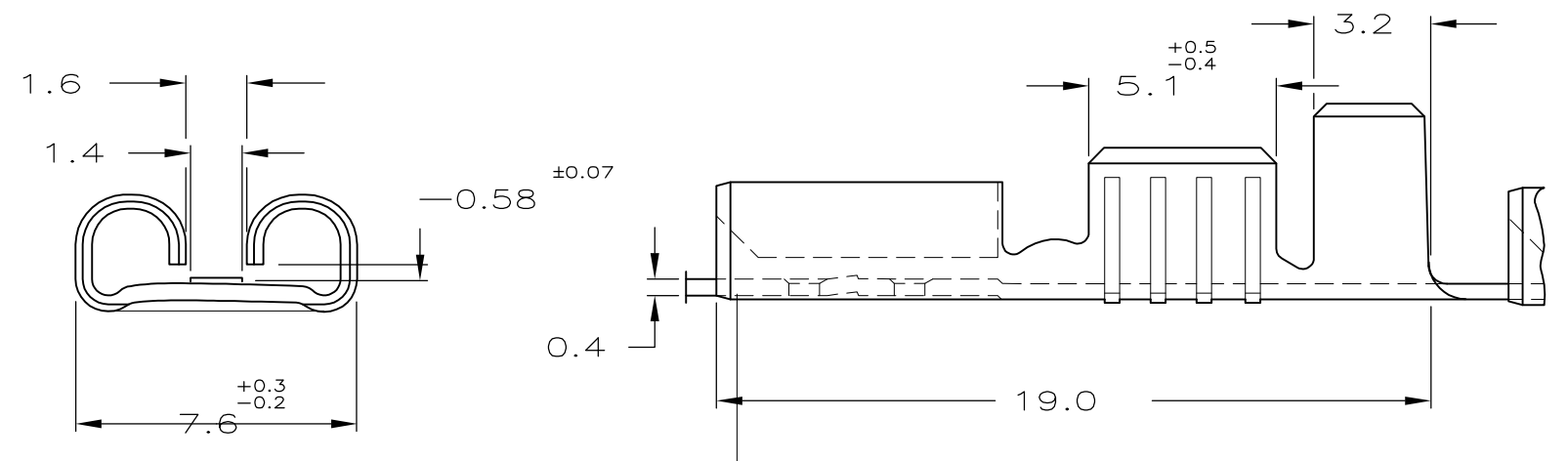
| LOC | DIST | REVISIONS | | | |
|-----|------|-------------|---------------------------|---------|--------|
| P | LTR | DESCRIPTION | DATE | DWN | APVD |
| - | - | CU7 | REVISED PER ECO-11-005140 | 30MAR11 | RK HMR |



1) STATO DI FORNITURA - SCALA 1:1
 (SUPPLY CONDITION - SCALE 1:1)

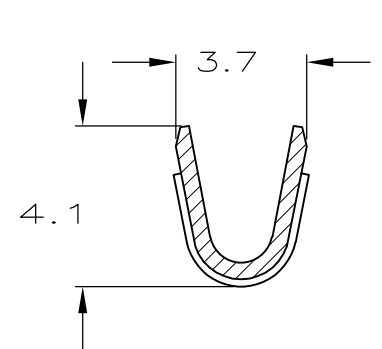
SENSO DI USCITA DEL TERMINALE DALLA BOBINA
 (DIRECTION OFF TOP OF REEL)

- 2) SPECIFICA DI PRODOTTO 108-20019
 (PRODUCT SPEC. 108-20019)
 SPECIFICA DI APPLICAZIONE 114-20023
 (APPLICATION SPEC. 114-20023).
- 3) PER LE VERSIONI IN PEZZI SCIOLTI
 VEDERE DISEGNO 160304
 (FOR LOOSE PIECE VERSION SEE DRAWING 160304).
- 4) 115-16-1, GIUNZIONE MEDIANTE SALDATURA
 (115-16-1, SPLICE FREE).
- 5 BOBINATO CON CARTA INTERPOSTA
 (REELED WITH INTERLEAVE PAPER STRIP).
- 6 OBSOLETE PARTS: OBSOLETE CIS STREAMLINING PER D.RENAUD/D.SINISI

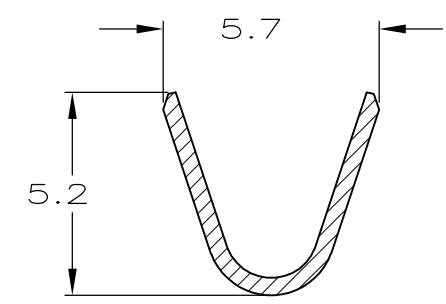


for 0.8 mm tab thickness.

SEZIONE A-A
 (SECTION A-A)



SEZIONE B-B
 (SECTION B-B)



| 6 OBSOLETE | 5 | | | | |
|------------|---|-------------------------------------|--------------------------|------------------|-----|
| | | NUDO (UNPLATED) | BRONZO FOS. (PH. BRONZE) | 4-160256-9 | CU |
| | | ARGENTATO (SILVER PLATED) | OTTONE (BRASS) | 4-160256-7 | CU |
| | | NUDO (UNPLATED) | BRONZO FOS. (PH. BRONZE) | 4-160256-5 | CT |
| | 5 | PRE NICHELATO (PRE NICKEL PLATED) | ACCIAIO (STEEL) | 4-160256-2 | CT |
| | | STAGNATO (TIN PLATED) | BRONZO FOS. (PH. BRONZE) | 3-160256-1 | CT |
| | | NUDO (UNPLATED) | BRONZO FOS. (PH. BRONZE) | 2-160256-8 | CT |
| | 5 | STAGNATO (TIN PLATED) | OTTONE (BRASS) | 2-160256-2 | CU |
| | | NUDO (UNPLATED) | OTTONE (BRASS) | 2-160256-1 | CT |
| | | PRE NICHELATO (PRE NICKEL PLATED) | ACCIAIO (STEEL) | 0-160256-5 | CT |
| NOTE | | FINITURA / COLORE (FINISH / COLOUR) | MATERIALE (MATERIAL) | NUMERO (PART NO) | REV |

THIS DRAWING IS A CONTROLLED DOCUMENT.

DWN H. YAALI 27 JAN 2000
 CHK C. TARTARI 27 JAN 2000
 APVD -

PRODUCT SPEC -
 APPLICATION SPEC -
 WEIGHT -

STE TE Connectivity

FASTON® Connector,
 .250 sr. REC. CONTACT.

SIZE A3 CAGE CODE 00779 DRAWING NO C-160256 RESTRICTED TO -

CUSTOMER DRAWING SCALE 5:1 SHEET 1 OF 1 REV CU7

| | |
|--|--|
| DIAM. ISOLANTE (INS. DIA. RANGE) 3.0-4.3mm DIA. | RANGO FILO (WIRE RANGE) 1.0-2.5 mm2 |
|--|--|

| | |
|----------------|--|
| DIMENSIONS: mm | TOLERANCES UNLESS OTHERWISE SPECIFIED: |
| | 0 PLC ± 0.3 |
| | 1 PLC ± - |
| | 2 PLC ± - |
| | 3 PLC ± - |
| | 4 PLC ± - |
| | ANGLES ± 2° |